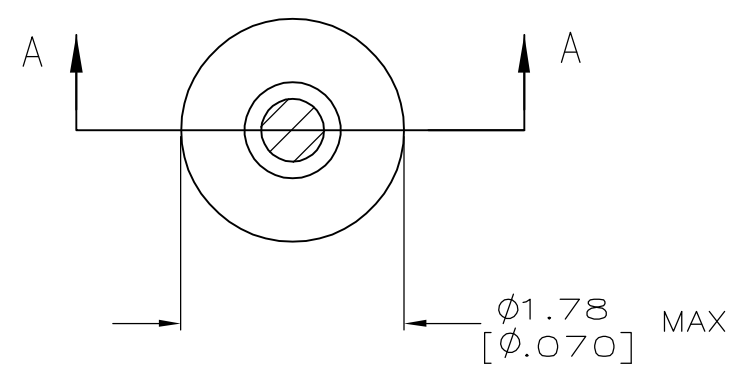
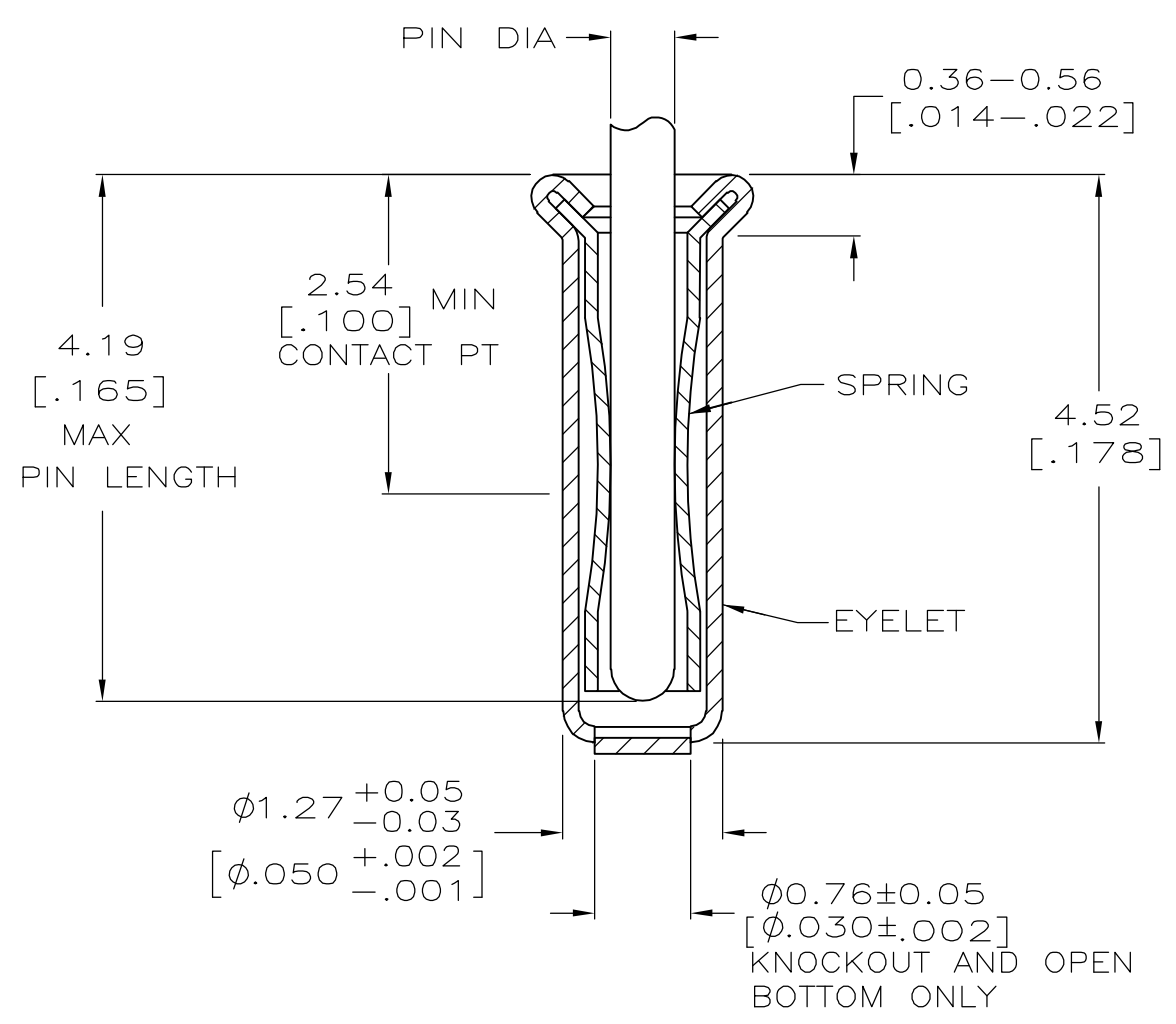


THIS DRAWING IS UNPUBLISHED. RELEASED FOR PUBLICATION  
 © COPYRIGHT BY TYCO ELECTRONICS CORPORATION. ALL RIGHTS RESERVED.

LOC	DIST	REVISIONS					
GP	00	P	LTR	DESCRIPTION	DATE	DWN	APVD
			AG1	REV PER ECO-06-018765	13APR07	DH	DB



- 1. TIN PER MIL-T-10727 OR TIN LEAD .000254 [.000100] MIN THK.
- 2. GOLD PER MIL-G-45204, TYPE II, 0.00076 [.000030] MIN THK OVER NICKEL PER QQ-N-290 0.00028 [.000011] MIN THK ON CONTACT AREA.
- 3. GOLD FLASH PER MIL-G-45204, TYPE II, 0.13µm [.000005] MIN THK. OVER NICKEL PLATE PER QQ-N-290 0.51µm-1.52µm [.000020-.000060] EXT THK.
- 4. GOLD PER MIL-G-45204, TYPE II, 0.00127 [.000050] MIN THK.
- 5. GOLD PER MIL-G-45204, TYPE II, 0.00127 [.000050] MIN THK OVER NICKEL PER QQ-N-290 0.00127 [.000050] MIN THK ON CONTACT AREA.
- 6. RECOMMENDED HOLE SIZE, PLATED OR UNPLATED:  
 MACHINE INSERTION: 1.32 <sup>+0.08</sup>/<sub>-0.05</sub> [.052 <sup>+0.003</sup>/<sub>-0.002</sub>]  
 HAND INSERTION: 1.32 <sup>+0.10</sup>/<sub>-0.00</sub> [.052 <sup>+0.004</sup>/<sub>-0.000</sub>]
- 7. APPLICATION TOOL PART NUMBER:  
 MACHINE NO. 682127-3  
 INSERTION HEAD NO. 682039-2
- 8. TO INSURE PROPER SPRING TENSION DO NOT EXCEED A 0.10 [.004] DIFFERENCE IN PIN DIA WHEN CHANGING TO A SMALLER PIN.
- 9. BOTTOM PLUG KNOCKOUT TOOL PART NUMBER 69729 WITH TIP PART NUMBER 69728.
- 10. TIN PER ASTM B545, 0.00254 [.000100] MIN THK.
- 11. MATERIAL: SPRING: BERYLLIUM COPPER QQ-C-533  
 EYELET: COPPER, QQ-C-576



SECTION A-A

SUPSD BY 50462-8	CLOSED	0.36-0.66 [.014-.026]	TIN 10	TIN 10	6-50462-7
	OPEN		GOLD 4	GOLD 5	1-50462-5
OBSOLETE	CLOSED	0.36-0.66 [.014-.026]	TIN 1	GOLD 2	50462-8
	KNOCKOUT		TIN 1	TIN 1	50462-7
OBSOLETE	OPEN	0.36-0.66 [.014-.026]	GOLD 3	GOLD 2	50462-6
			TIN 1	TIN 1	50462-5
OBSOLETE		0.36-0.66 [.014-.026]	GOLD 3	GOLD 2	50462-4
			GOLD 3	GOLD 2	50462-2
OBSOLETE		0.36-0.66 [.014-.026]	EYELET	SPRING	50462
	BOTTOM TYPE	RECOMMENDED PIN DIA 8	FINISH		PART NO

THIS DRAWING IS A CONTROLLED DOCUMENT.		DWN R. TALLEY 4-5-91	Tyco Electronics Corporation Harrisburg, Pa 17105-3608	
DIMENSIONS: mm [INCHES]	TOLERANCES UNLESS OTHERWISE SPECIFIED:	CHK -	NAME	
	0 PLC ± -	APVD -	MINIATURE SPRING SOCKET ASSEMBLY, SERIES 2	
	1 PLC ± -	PRODUCT SPEC -		
	2 PLC ± -	APPLICATION SPEC -		
	3 PLC ± 0.20 [.008]	WEIGHT -	SIZE A3	CAGE CODE 00779
	4 PLC ± -		DRAWING NO C-50462	RESTRICTED TO -
	ANGLES ± -		SCALE 20:1	SHEET 1 OF 1
MATERIAL - 11	FINISH -	CUSTOMER DRAWING		REV AG1